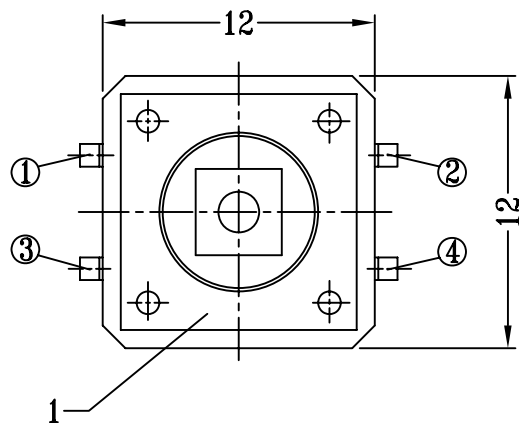
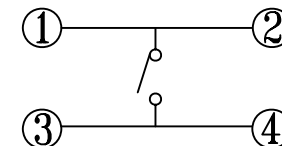


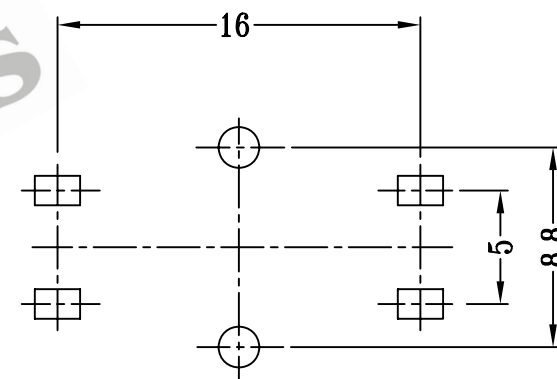
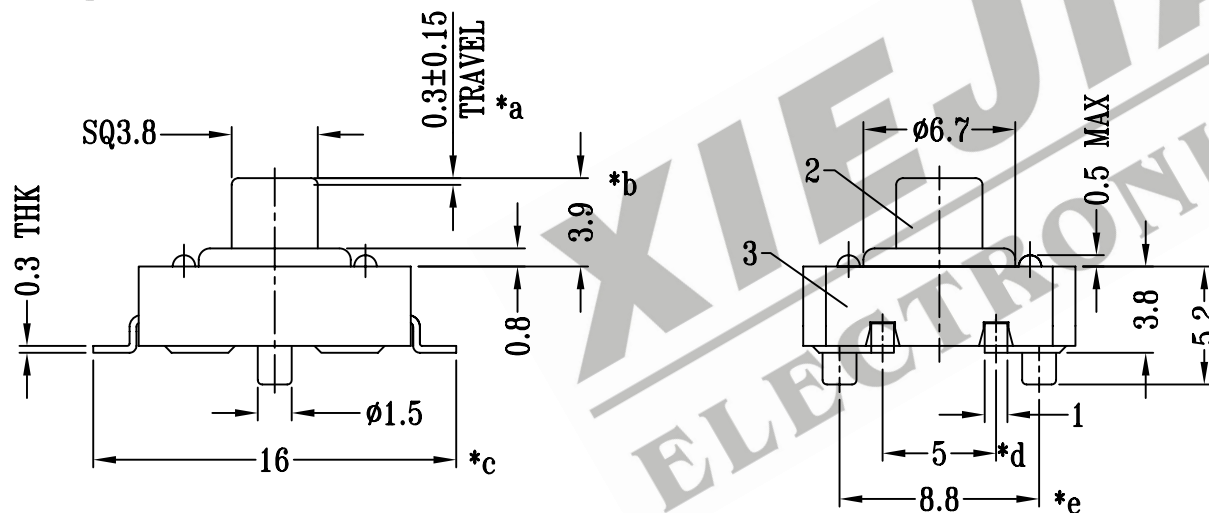
CAD FILE:



OPERATING FORCE	CODE
160 gf	X
250 gf	Z



SCHEMATIC



P.C.B LAYOUT

注:带"*"表示关键尺寸(5个)

				TOLERANCE UNLESS SPECIFIED	SHENZHEN XIEJIA ELECTRONICS CO.,LTD.					
				WITHIN: 1.5±0.1mm	ISSUE	DATE	DESCRIPTIONS OF REVISION		APPD.	
				OVER: 1.5±0.2mm						
8										
7										
6										
5										
4	CONTACT	PBS	1	Ag CLAD	TITLE : TACT SWITCH		UNIT : mm	DRWG NO.: XJ-DR-TD12EC-00		
3	CASE	NYLON+F.G/BRASS STRIP	1	BLACK/Ag PLATED						
2	KNOB	POM	1	BLACK	MODEL: TD-12EC		SCALE: 3:1	DWN.	ZHOUYU	2004-2-28
1	COVER	PE-T	1	CLEAR				CHK'D	FANGYING	2004-2-28
NO.	PARTS	MATERIALS	Q'TY	FINISH	ALL MATERIALS MUST BE COMPLIANT TO ROHS			APPD.	KANGXINAN	2004-2-28